

# Lift-A-Load EPT4-516 Trailer

Ground Level and Dock Height Loading/Unloading



Dock Level Loading



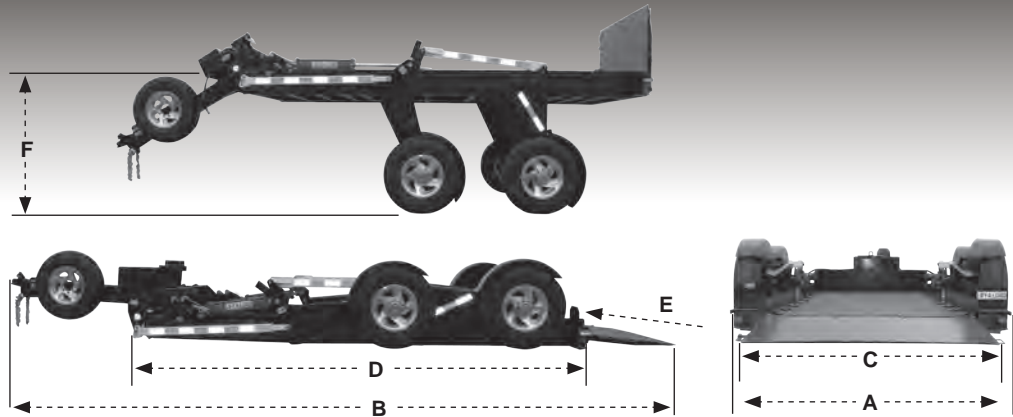
## Features

- Level Loading up to 52" Dock Height
- Rubber over Hydraulic Suspension
- Minimal loading angle with integrated ramp
- 2-Year Warranty

The Lift-A-Load Trailer Deck remains level at all heights between ground level or dock height, for safe, easy loading and expedited delivery of low ground clearance and static loads.



Ground Level Loading



**EPT4-516 - Part No. 17006**

(A) Overall Width	(B) Overall Length	(C) Usable Deck Width	(D) Usable Deck Length	(E) Load Angle*	(F) Deck Height (Fully Raised)
102" (259 cm)	318" (808 cm)	74" (188 cm)	192" (488 cm)	8°	52" (132.08 cm)

\*No load angle at dock height

**Loads & Weights:**

- Payload Capacity ..... 10,000 lbs (4,536 kg)
- GVWR ..... 14,968 lbs (6,789 kg)
- Trailer Weight ..... 4,968 lbs (2,253 kg)
- Load per axle ..... 6,000 lbs (2,721 kg)
- Hitch (standard) Load..... 2,748 lbs (1,246 kg)

**Misc.:**

- On Board Power (Hyd. Pump, Battery, & 10 Amp Charger-Maintainer)
- Tires are ST235/80R/16LRE / 10 Ply / Rated 3,520 lbs @ 80 PSI @ 75 MPH

**Trailer Frame:**

- Frame (side) Rails are 3/16" (4.6 mm) ASTM 500 Grade B
- Side Rails utilize distinctive shapes for unlimited tie-down locations
- Framework (crossmembers) constructed of ASTM A36 Steel Plates - Formed to a 1.5" x 4" (38 x 102 mm) "L" Shape for maximum strength with minimum weight
- Crossmembers are spaced on 12" (305 mm) centers for maximum strength – Preventing deck warping
- 3/16" (4.8 mm) Diamond Plate (Grade 55) Decking – Added strength and a non-slip surface

**Options:**

- Spare Tire and Carrier
- Special Paint Color (Black, Blue, and Yellow are standard colors)
- 8,000 lb (3,629 kg) Cargo Winch
- Extra D-Ring / Tie Downs
- E-Track Package (48" Height)
- Star Track Decking
- Aluminum Wheels
- Solar Battery Charger
- Steel Side Boards with Built-In Tie Downs

**Electrical:**

- LED Lighting with Dedicated Ground Circuit
- 7-Pin Round RV Connector
- Electric Brakes on all Axles

Specifications may change without prior notice.



[www.fourdegreetrailer.com](http://www.fourdegreetrailer.com) | [info@fourdegreetrailer.com](mailto:info@fourdegreetrailer.com)

Four Degree Trailer Company  
 3726 US Hwy 34 | Kewanee, IL 61443  
 Toll-Free: 1-800-369-5365

A subsidiary of Rhino Tool Company



Scan QR for Videos



Form EPT4-516\_10/18/22