

# Lift-A-Load EPT4-316 Trailer

Ground Level and Dock Height Loading/Unloading



Ground Level Loading



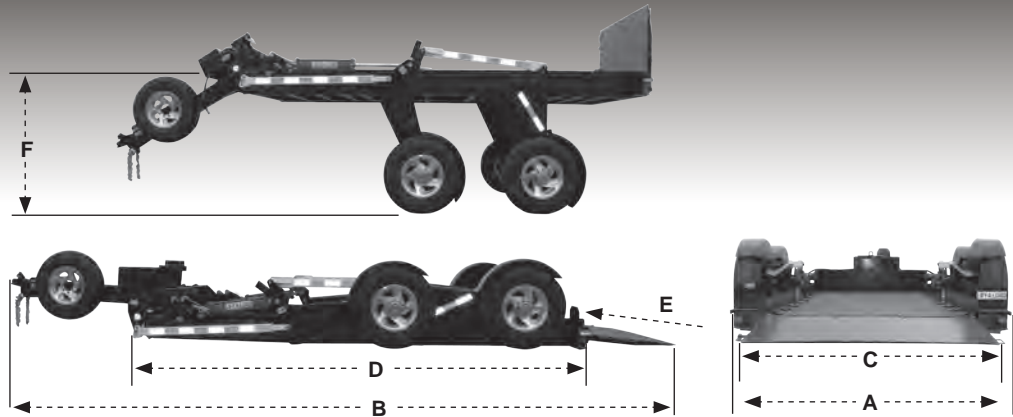
The Lift-A-Load Trailer Deck remains level at all heights between ground level or dock height, for safe, easy loading and expedited delivery of low ground clearance and static loads.

## Features

- Level Loading up to 52" Dock Height
- Rubber over Hydraulic Suspension
- Minimal loading angle with integrated ramp
- 2-Year Warranty



Dock Level Loading



**EPT4-316 - Part No. 17005**

(A) Overall Width	(B) Overall Length	(C) Usable Deck Width	(D) Usable Deck Length	(E) Load Angle*	(F) Deck Height (Fully Raised)
102" (259 cm)	318" (808 cm)	74" (188 cm)	192" (488 cm)	6.5°	52" (132.08 cm)

\*No load angle at dock height

**Loads & Weights:**

- Payload Capacity ..... 7,500 lbs (3,402 kg)
- GVWR ..... 11,868 lbs (5,383 kg)
- Trailer Weight ..... 4,368 lbs (1,981 kg)
- Load per axle ..... 6,000 lbs (2,721 kg)
- Hitch (standard) Load..... 2,198 lbs (997 kg)

**Misc.:**

- On Board Power (Hyd. Pump, Battery, & 10 Amp Charger-Maintainer)
- Tires are ST235/80R/16LRE / 10 Ply / Rated 3,520 lbs @ 80 PSI @ 75 MPH

**Trailer Frame:**

- Frame (side) Rails are 3/16" (4.6 mm) ASTM 500 Grade B
- Side Rails utilize distinctive shapes for unlimited tie-down locations
- Framework (crossmembers) constructed of ASTM A36 Steel Plates - Formed to a 1.5" x 4" (38 x 102 mm) "L" Shape for maximum strength with minimum weight
- Crossmembers are spaced on 12" (305 mm) centers for maximum strength – Preventing deck warping
- 3/16" (4.8 mm) Diamond Plate (Grade 55) Decking – Added strength and a non-slip surface

**Options:**

- Spare Tire and Carrier
- Special Paint Color (Black, Blue, and Yellow are standard colors)
- 8,000 lb (3,629 kg) Cargo Winch
- Extra D-Ring / Tie Downs
- E-Track Package (48" Height)
- Star Track Decking
- Aluminum Wheels
- Solar Battery Charger
- Steel Side Boards with Built-In Tie Downs

**Electrical:**

- LED Lighting with Dedicated Ground Circuit
- 7-Pin Round RV Connector
- Electric Brakes on all Axles

Specifications may change without prior notice.



[www.fourdegreetrailer.com](http://www.fourdegreetrailer.com) | [info@fourdegreetrailer.com](mailto:info@fourdegreetrailer.com)

Four Degree Trailer Company  
3726 US Hwy 34 | Kewanee, IL 61443  
Toll-Free: 1-800-369-5365

A subsidiary of Rhino Tool Company



Scan QR for Videos



Form EPT4-316\_10/18/22