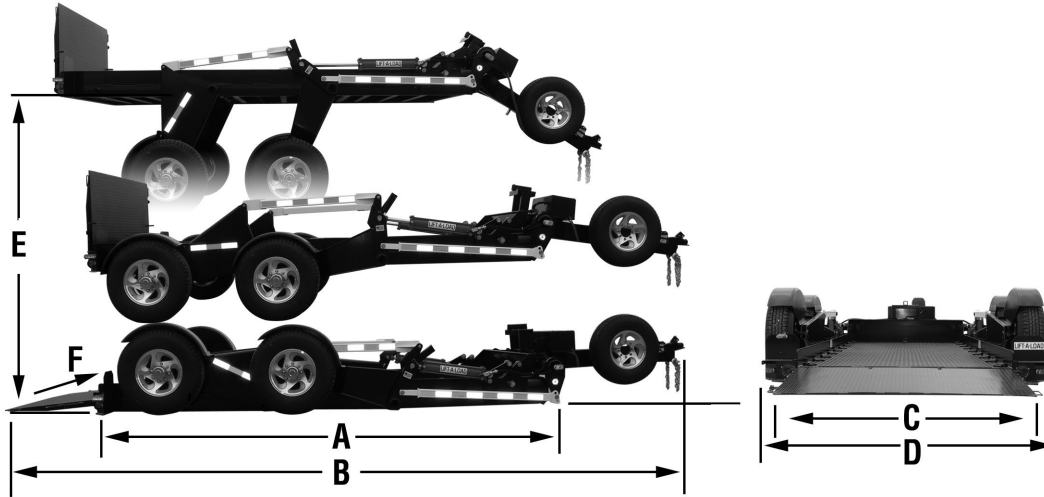


Dimensions and Loads



Dimensions:

- A = 15' (180")
- B = 25' 8" (308")
- C = 5' 2" (62")
- D = 8' (96")
- E = 52" Top of Bed
- F = 9.5 Degree Load Angle

Loads:

- 15,000 lbs. Payload
- 6,160 lbs. Trailer Weight
- 1,390 lbs. Hitch Empty Weight
- 3,640 lbs. Hitch Fully Loaded Weight
- 21,160 lbs. GVWR
- Two (2), 9,000 lb Axles

Specifications and Features *(Base Trailer)*

Ground to Travel to Dock Height	DOT Lights & Reflectors	17.5 x 6.75, 8 Bolt Disc Wheels
2 -1/2" Pintle Hitch	Grade 55 - 3/16" Diamond Plate Flooring	12-1/4" x 3-3/8" Electric Brakes on 4 Wheels
8" Frame Depth	Fold Down Transport Locks	Tie Downs (6)
215-75R-17.5H Tire Size	Hydraulic Safety Valves	Rear Platform Support Jacks
48" Tailgate Ramp	Single Pin Grounded +12 VDC Power Cable	Breakaway Kit with Chains
DC Electric / Hydraulic Pump	Black, Yellow or Blue Paint Standard	Tongue Jack
	Tailgate Hand Winch	

Options

Xtra Bed Length p/ft09234	5/8" Tie Down Rail09217	Aux. Battery Holder.....03024 (Battery not included)
Xtra Bed Width 6".....09239	Spare Tire Carrier09218	Special Paint Color09229 (Machinery Enamel Only)
Xtra Tie Downs09213	Spare Tire w/ Wheel02961	
On-Board Power12396	Cargo Winch 8,000 lbs.....04415	
Power Cord Option.....12783	Hydraulic Pump Cover03173	

Items for Tow Vehicle *(Installation not Included)*

Truck Power Cable..... 04351	Brake Controller06221
------------------------------	-----------------------------