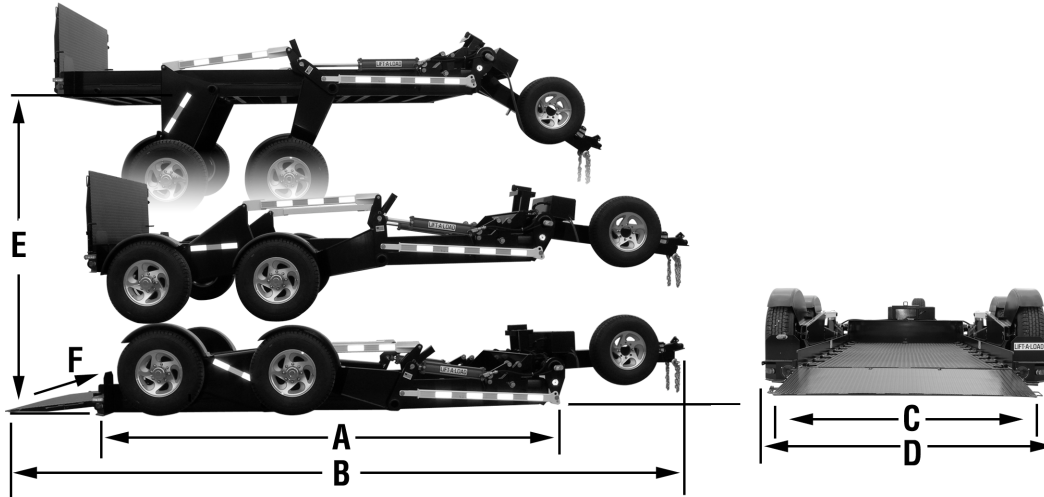


### Dimensions and Loads



**Dimensions:**

A = 14' (168")  
 B = 24'6" (294")  
 C = 5'8" (68")  
 D = 8' (96")  
 E = 52" Top of Bed  
 F = 8 Degree Load Angle

**Loads:**

10,000 lbs. Payload  
 4,600 lbs. Trailer Weight  
 920 lbs. Hitch Empty Weight  
 2,600 lbs. Hitch Fully Loaded Weight  
 14,600 lbs. GVWR  
 Two (2), 6,000 lb. Axles

### Specifications and Features (Base Trailer)

Ground to Travel to Dock Height	DOT Lights & Reflectors	16 x 6, 8 Bolt Modular Wheels
2 -5/16" Ball Hitch	Grade 55 - 3/16" Diamond Plate Flooring	12" x 2" Electric Brakes on 4 Wheels
5" Frame Depth	Fold Down Transport Locks	Tie Downs (6)
ST235/80R16E Tire Size	Hydraulic Safety Valves	Rear Platform Support Jacks
36" Tailgate Ramp	Single Pin Grounded +12 VDC Power Cable	Breakaway Kit with Chains
DC Electric / Hydraulic Pump	Black, Yellow or Blue Paint Standard	Tongue Jack

### Options

Xtra Bed Length p/ft ..... 09233	5/8" Tie Down Rail .....09216	Aux. Battery Holder .....03024 (Battery not included)
Xtra Bed Width 6" ..... 09238	Spare Tire Carrier .....01147	2 -1/2" Pintle Hitch ..... 04349
Xtra Tie Downs ..... 09212	Spare Tire w/ Wheel .....06610	Special Paint Color .....09228 (Machinery Enamel Only)
On-Board Power ..... 12396	Cargo Winch 8,000 lbs.....04414	
Power Cord Option ..... 12783	Hydraulic Pump Cover .....03168	

### Items for Tow Vehicle (Installation not Included)

2-5/16" High Rise Ball ..... 06203	Brake Controller ..... 06221
Truck Power Cable ..... 04351	