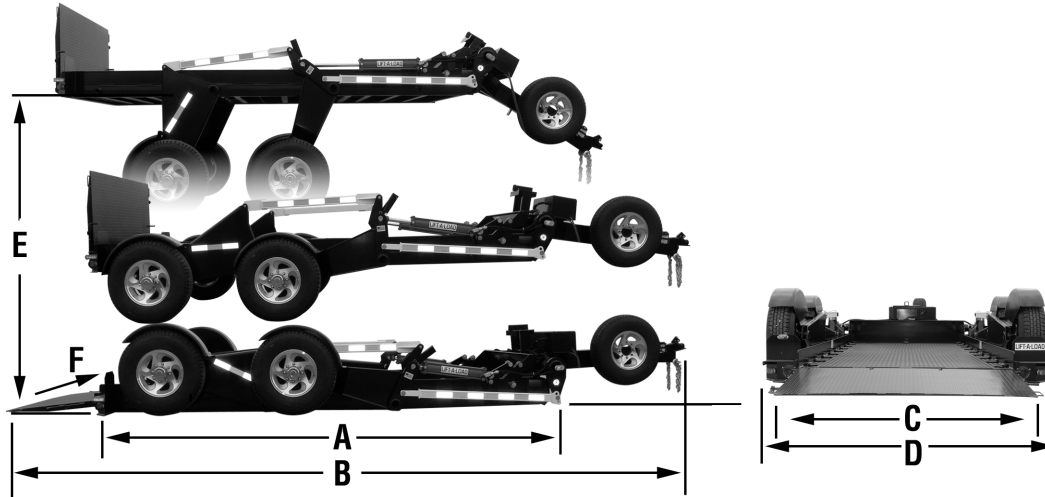


Dimensions and Loads



Dimensions:

- A = 14' (168")
- B = 24'6" (294")
- C = 5'8" (68")
- D = 8' (96")
- E = 52" Top of Bed
- F = 8 Degree Load Angle

Loads:

- 10,000 lbs. Payload
- 4,600 lbs. Trailer Weight
- 920 lbs. Hitch Empty Weight
- 2,600 lbs. Hitch Fully Loaded Weight
- 14,600 lbs. GVWR
- Two (2), 6,000 lb. Axles

Specifications and Features (Base Trailer)

Ground to Travel to Dock Height	DOT Lights & Reflectors	16 x 6, 8 Bolt Modular Wheels
2 -5/16" Ball Hitch	Grade 55 - 3/16" Diamond Plate Flooring	12" x 2" Electric Brakes on 4 Wheels
5" Frame Depth	Fold Down Transport Locks	Tie Downs (6)
ST235/80R16E Tire Size	Hydraulic Safety Valves	Rear Platform Support Jacks
36" Tailgate Ramp	Single Pin Grounded +12 VDC Power Cable	Breakaway Kit with Chains
DC Electric / Hydraulic Pump	Yellow Paint Standard	Tongue Jack

Options

Xtra Bed Length p/ft 09233	5/8" Tie Down Rail09216	Aux. Battery Holder03024 (Battery not included)
Xtra Bed Width 6" 09238	Spare Tire Carrier01147	2 -1/2" Pintle Hitch 04349
Xtra Tie Downs 09212	Spare Tire w/ Wheel06610	Special Paint Color09228 (Machinery Enamel Only)
On-Board Power 12396	Cargo Winch 8,000 lbs..... 04414	
Power Cord Option 12783	Hydraulic Pump Cover03168	

Items for Tow Vehicle (Installation not Included)

2-5/16" High Rise Ball 06203	Brake Controller 06221
Truck Power Cable 04351	