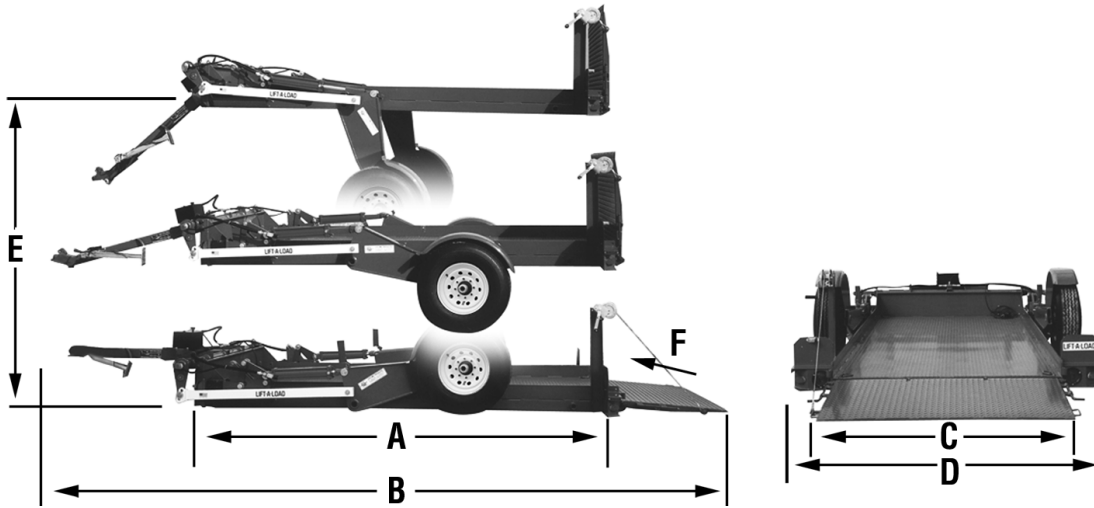


Dimensions and Loads



Dimensions:

- A = 12' (144")
- B = 22' 3" (267")
- C = 5' 10" (70")
- D = 8' (96")
- E = 52" Top of Bed
- F = 6.5 Degree Load Angle

Loads:

- 4,400 lbs. Payload
- 2,800 lbs. Trailer Weight
- 500 lbs. Hitch Empty Weight
- 1,200 lbs. Hitch Fully Loaded Weight
- 7,200 lbs. GVWR
- One (1), 6,000 lb. Axle

Specifications and Features *(Base Trailer)*

Ground to Travel to Dock Height	DOT Lights & Reflectors	16 x 6, 8 Bolt Modular Wheels
2-5/16" Ball Hitch	Grade 55 - 3/16" Diamond Plate Flooring	12" x 2" Electric Brakes
4" Frame Depth	Fold Down Transport Locks	Tie Downs (4)
ST235/80R16E Tire Size	Hydraulic Safety Valves	Rear Platform Support Jacks
36" Tailgate Ramp	Single Pin Grounded +12 VDC Power Cable	Breakaway Kit with Chains
DC Electric /Hydraulic Pump	Yellow Paint Standard	Tongue Jack

Options

Xtra Bed Length p/ft09231	5/8" Tie Down Rail09215	Aux. Battery Holder.....03024 (Battery not included)
Xtra Bed Width 6".....09236	Spare Tire Carrier01147	2 -1/2" Pintle Hitch04347
Xtra Tie Downs09211	Spare Tire w/ Wheel06610	Special Paint Color09226 (Machinery Enamel Only)
On Board Power12396	Cargo Winch 4,000 lbs.....04412	E-Track Package.....11867
Power Cord Option.....12783	Hydraulic Pump Cover03161	
Tailgate Winch (Hand)09221		

Items for Tow Vehicle *(Installation not Included)*

2-5/16" High Rise Ball06203	Brake Controller06221
Truck Power Cable.....04351	