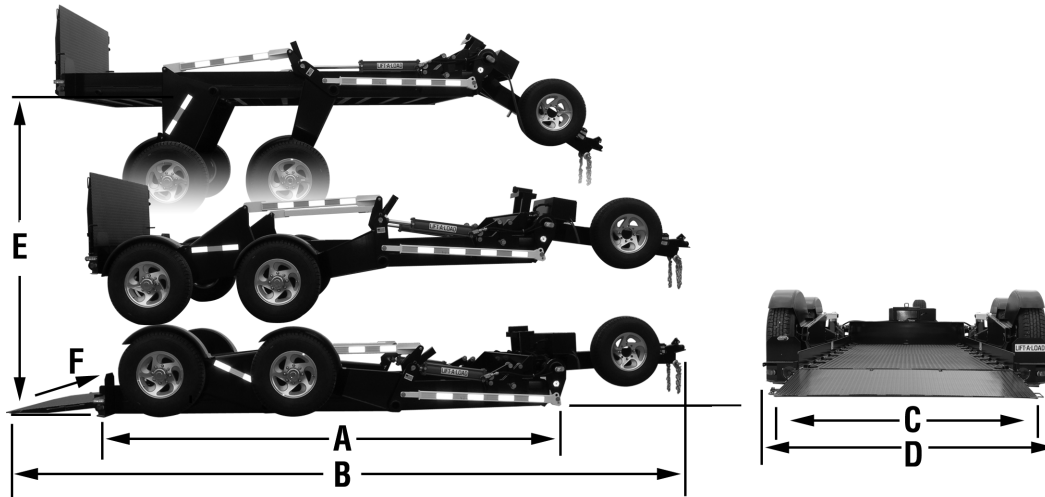


Dimensions and Loads



Dimensions:

A = 15' (180")
 B = 25' 8" (308")
 C = 5' 2" (62")
 D = 8' (96")
 E = 52" Top of Bed
 F = 9.5 Degree Load Angle

Loads:

15000 lbs Payload
 6160 lbs Trailer Weight
 1390 lbs Hitch Empty Weight
 3640 lbs Hitch Fully Loaded Weight
 21160 lbs GVWR
 Two (2), 9000 lb Axles

Specifications and Features (Base Trailer)

Ground to Travel to Dock Height	DOT Lights & Reflectors	17.5 x 6.75, 8 Bolt Disc Wheels
2 -1/2" Pintle Hitch	Grade 55 - 3/16" Diamond Plate Flooring	12-1/4" x 3-3/8" Electric Brakes on 4 Wheels
8" Frame Depth	Fold Down Transport Locks	Tie Downs (6)
215-75R-17.5H Tire Size	Hydraulic Safety Valves	Rear Platform Support Jacks
48" Tailgate Ramp	Single Pin Grounded +12 VDC Power Cable	Breakaway Kit with Chains
DC Electric / Hydraulic Pump	Blue with White Trim Standard	Tongue Jack
	Tailgate Hand Winch	

Options

Xtra Bed Length p/ft 09234	5/8" Tie Down Rail 09217	Aux. Battery Holder..... 03024 (Battery not included)
Xtra Bed Width 6" 09239	Spare Tire Carrier 09218	Special Paint Color 09229 (Machinery Enamel Only)
Xtra Tie Downs 09213	Spare Tire w/ Wheel 02961	
On-Board Power 12396	Cargo Winch 8000# 04415	
Power Cord Option 12783	Hydraulic Pump Cover 03173	

Items for Tow Vehicle (Installation not Included)

Truck Power Cable 04351	Brake Controller 06221
-------------------------------	------------------------------